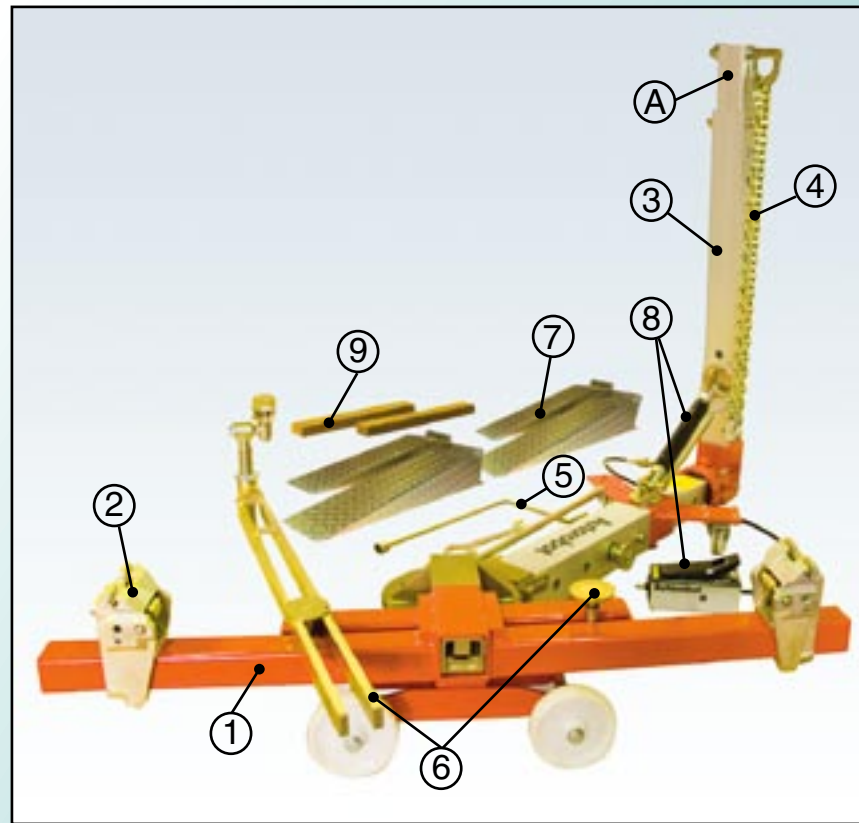


Autorobot® Micro B



Basic Equipment

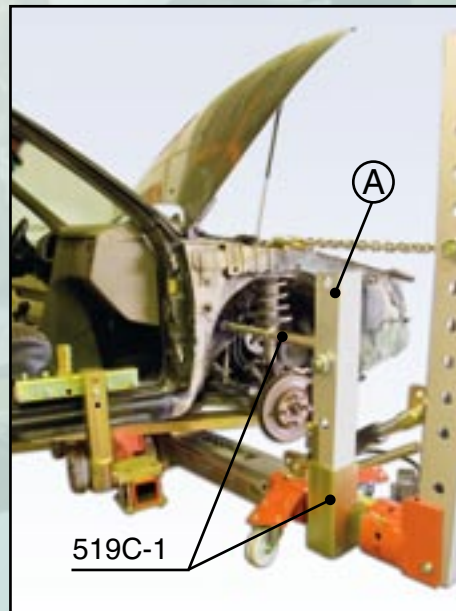
- | | | |
|----|-----------------------------------|------|
| 1. | Frame | 1 pc |
| 2. | 162+ Chassis clamp | 2 pc |
| 3. | 501D-1 Pulling tower | 1 pc |
| 4. | 673 Chain 2, 5m | 1 pc |
| 5. | Wrench | 1 pc |
| 6. | 676+2A Support kit (incl. wrench) | 1 pc |
| 7. | Ramp | 4 pc |
| 8. | 10-t hydraulics (cylinder + pump) | 1 pc |
| 9. | Support blocks | 2 pc |

500/B



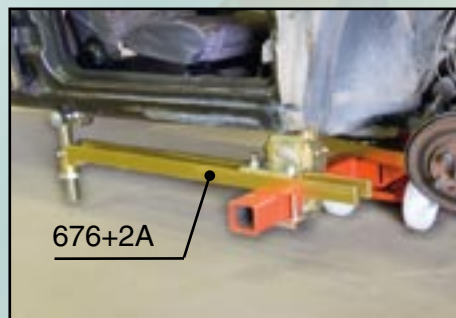
Accessories

519C-1



519C-1

676+2A



676+2A

Accessories

501D2-2



714A-6

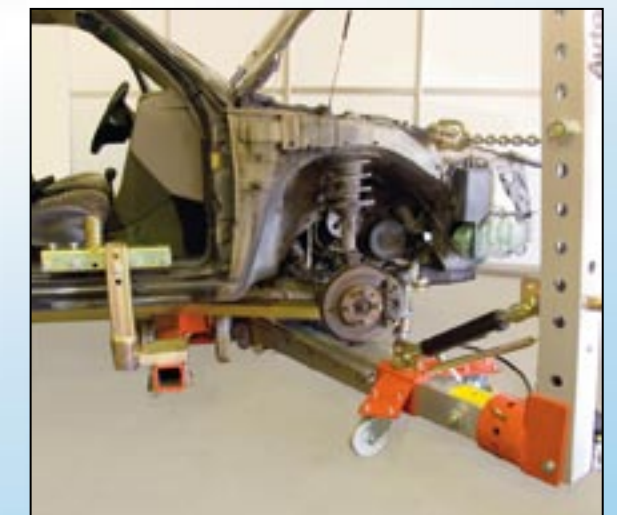


Lifting height 50 cm/19.7 in, 2-3 t



Autorobot® Micro B

Quick, economical straightening bench



Technology from FINLAND

Seller:

Manufacturer:

Autorobot
FINLAND OY

Yrittäjätie 23, 70150 Kuopio, Finland
Tel. +358-17-283 3711
Fax +358-17-283 1623
E-mail: autorobot@autorobot.com
Internet: www.autorobot.com

Autorobot[®] Micro B

Autorobot Micro B is a professional straightening bench designed for easy set up and quick pulls. Its modest cost makes it a great investment for any size body shop. Micro B is particularly suited for small body shops with limited floor space.

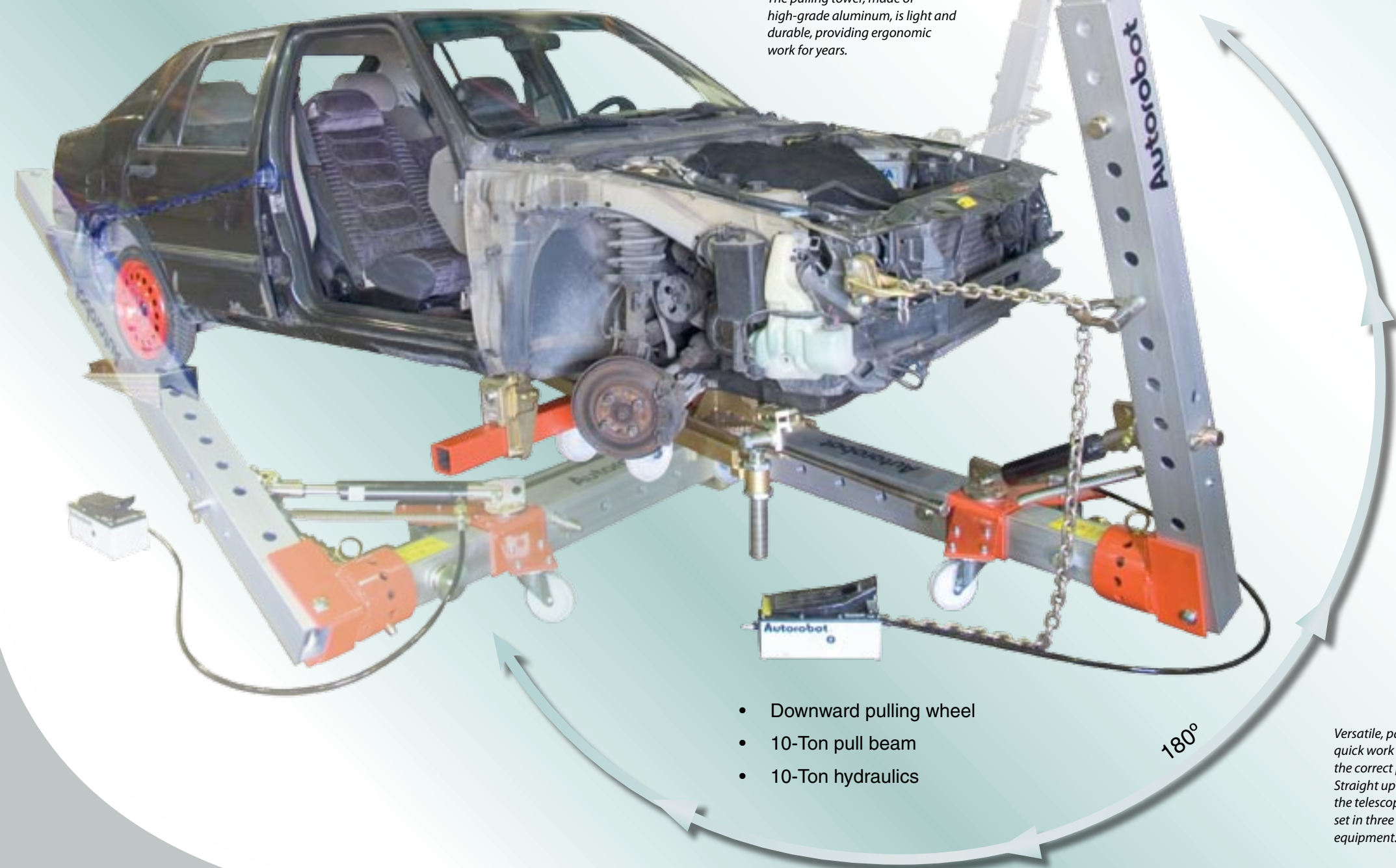
Vehicle fastening is easy with Autorobot Micro B. Its nimble design and quick set up time make it ideal as an auxiliary straightening unit for body shops that use typical jig benches. The Micro B is perfect for

fast repair of small to moderate body damage and for use when the big benches are tied up with complicated repairs.

Super-quick, one-bolt chassis fasteners come standard with the Micro B. These are designed for autos with pinch welds. Optional accessory packages include fasteners for full-frame vehicles and those without pinch welds.

Micro B's fastening and pulling components are interchangeable with other Autorobot benches. Thus, the body shop with a Micro B can cost-effectively upgrade to the Autorobot XLS and/or B20 with lower purchase prices on the larger units. The Micro B is a sensible investment in straightening technology.

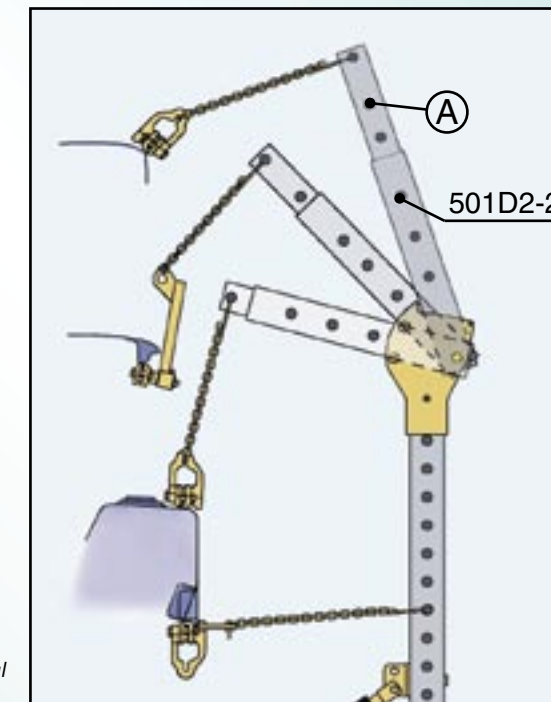
The pulling tower, made of high-grade aluminum, is light and durable, providing ergonomic work for years.



- Downward pulling wheel
- 10-Ton pull beam
- 10-Ton hydraulics

180°

- Super-quick vehicle fastening with one-bolt chassis clamps
- Easily adjust to pull in all directions (up, down, sideways)
- Smart design reduces stress on technician
- More straightening units can be added to the system with a low investment



Versatile, patented pulling tower makes quick work of straightening. Adjusting the correct pulling angle takes seconds. Straight upward pulls are easy thanks to the telescopic upper beam which can be set in three positions. 501D2-2 is optional equipment.

