

EQ SERIES

Screw Air Compressor

Reliability at the right value

11 - 22 kW

ELGI[®]

Always Better.



EQ SERIES

Built Tough | Long Life
Best-In-Class Warranty | Minimal Maintenance

Engineered to meet the needs of our customers.

For more than 60 years, ELGi has built world-class compressors. Through the years we have evolved and created innovative and technologically advanced air solutions to suit our customers' needs. ELGi EQ Series of Oil Lubricated Screw compressors offer an array of features for industries where size, reliability, and cost matter.

These reliable compressors function in the most demanding and the toughest of conditions. Designed for customer specific application needs, each compressor provides maximum uptime, long consumable life, and minimal maintenance thereby providing value for small and medium enterprises (SMEs).

Applications



Wood Working



General Manufacturing



Metal Working



Vehicle Service Centers

ELGi EQ SERIES

Screw Air Compressor



Multi Stage Air Filtration

Increased life of consumables

Industry Leading Warranty

Protect yourself from unforeseen expenses

Option of Inbuilt VFD

Save on energy

Robust Cooling System

Reduced air outlet temperature

Enclosure Designed to Industrial Standards

Silent, aesthetic package

Clean Layout and Hinged Doors

Easy maintenance and quick service



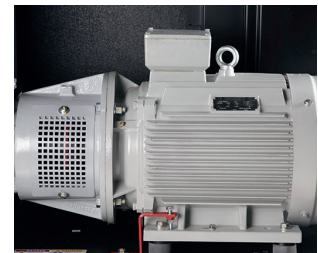
Optimised Cooling System for High Ambient Temperature



Optional Secondary Filter Element

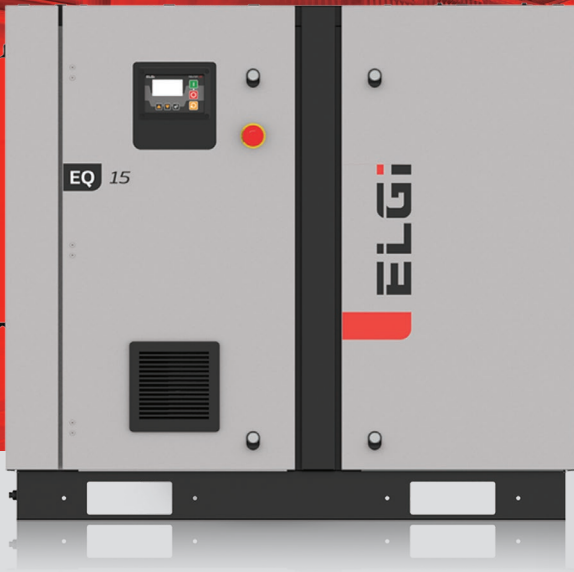


Easy to use Neuron XT Controller



Motor and Electrical Parts Designed for 50°C

* All images are for representative purpose only. Actual product may vary.



How can the all new EQ Series benefit your business?

BENEFITS OF ELGi EQ SERIES



DESIGNED SMART. BUILT TOUGH.

Built to perform reliably in tough conditions, the compressor operates in dusty environments and humid conditions with an ambient design of 50°C.



LONG CONSUMABLE LIFE OF UP TO 4000 HOURS

Experience extended consumable life and minimum maintenance. Components that need maintenance are easily accessible thus making service simple and efficient.



REDUCED STARTING LOAD - OPTIMISED NORMALLY CLOSE (NC) INTAKE VALVE

ELGi's intake valve is designed to reduce starting current. Also when working with the optimised blow down valve, unload power is significantly reduced, resulting in greater savings.



ENERGY EFFICIENCY WITH OPTIONAL VFD

When your application demand fluctuates significantly, our optional inbuilt VFD will ensure significant energy savings.



AN EASY TO OPERATE INDUSTRY GRADE CONTROLLER

The smart Neuron XT controller is easy to operate and has advanced fail-safe features. Neuron XT protects the compressor from major failures occurring due to motor overload, reverse rotation of motor, high air/oil temperature, and high pressure.



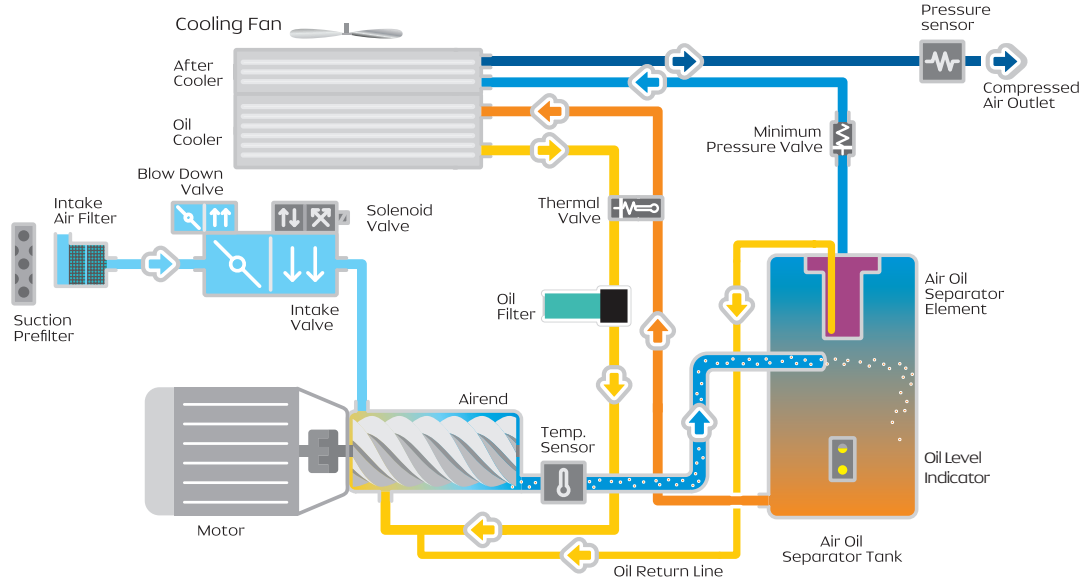
STRONG SERVICE NETWORK ACROSS THE GLOBE

Our strong service network provides our customers with quick and easy access to our service teams, whenever you are in need irrespective of your location in the country.

Genuine ELGi replacement filters and parts are easily available at all ELGi distributors. By providing ready assistance when in need, we assure that your compressors are well protected and provide maximum uptime.

Air/Oil Flow Diagram

- AMBIENT AIR
- LUBRICATION OIL
- AIR + OIL COMPRESSION
- COMPRESSED AIR
- LUBRICATION OIL - HOT
- COMPRESSED AIR - HOT



ELGi Airmate Accessories



Drain Valve



Oil Water Separator



Refrigeration Air Dryer



Moisture Separator



Downstream Filter



Air Receiver

Technical Specifications - 50Hz Fixed Speed

Model	Motor Power		Working Pressure		Free Air Delivery (FAD)		Weight		Noise	Dimensions L x B x H
	50Hz	kW	hp	bar g	psi g	m ³ /min	cfm	kg		
EQ 11	11	15	7.0	102	1.84	65	568	1252	70	1356 x 721 x 1220
			8.0	116	1.70	60				
			9.5	138	1.56	55				
			12.5	181	1.27	45				
EQ 15	15	20	7.0	102	2.55	90	586	1292	70	1356 x 721 x 1220
			8.0	116	2.49	88				
			9.5	138	2.15	76				
			12.5	181	1.90	67				
EQ 18	18	25	7.0	102	3.20	113	655	1444	70	1500 x 821 x 1220
			8.0	116	3.11	110				
			9.5	138	2.69	95				
			12.5	181	2.27	80				
EQ 22	22	30	7.0	102	3.74	132	675	1488	70	1500 x 821 x 1220
			8.0	116	3.65	129				
			9.5	138	3.17	112				
			12.5	181	2.61	92				

Technical Specifications - 50Hz Variable Speed

Model	Motor Power		Working Pressure		Free Air Delivery (FAD)		Weight		Noise	Dimensions L x B x H
	50Hz	kW	hp	bar g	psi g	m ³ /min	cfm	kg		
EQ 11	11	15	7.0	102	0.79-1.84	28-65	586	1292	70	1356 x 721 x 1220
			8.0	116	0.71-1.7	25-60				
			9.5	138	0.68-1.56	24-55				
			12.5	181	0.45-1.27	16-45				
EQ 15	15	20	7.0	102	1.02-2.55	36-90	604	1332	70	1356 x 721 x 1220
			8.0	116	1.08-2.49	38-88				
			9.5	138	0.96-2.15	34-76				
			12.5	181	0.74-1.9	26-67				
EQ 18	18	25	7.0	102	1.36-3.2	48-113	680	1499	70	1500 x 821 x 1220
			8.0	116	1.36-3.11	48-110				
			9.5	138	1.16-2.69	41-95				
			12.5	181	1.02-2.27	36-80				
EQ 22	22	30	7.0	102	1.7-3.74	60-132	700	1543	70	1500 x 821 x 1220
			8.0	116	1.7-3.65	60-129				
			9.5	138	1.53-3.17	54-112				
			12.5	181	1.05-2.61	37-92				

Note:

1. Free Air Delivery (FAD) is tested as per ISO 1217 : 2009 Annexure 'C' Edition: 4 for Fixed Speed Machines and as per Annexure 'E' Edition: 4 for VFD machines.
2. Sound level measured as per ISO 2151, Second Edition.
3. All standard models are air-cooled.
4. Due to continuous improvements, the specifications are subject to change without prior notice.

Technical Specifications - 60Hz Fixed Speed

Model	Motor Power		Working Pressure		Free Air Delivery (FAD)		Weight		Noise dB(A)	Dimensions L x B x H inches
	60Hz	kW	hp	psi g	bar g	cfm	m ³ /min	lbs		
EQ 11	11	15	100	6.9	68	1.93	1274	578	70	53.4 x 28.3 x 48
			125	8.6	58	1.64				
			150	10.3	52	1.47				
			175	12.1	46	1.3				
EQ 15	15	20	100	6.9	89	2.51	1291	586	70	53.4 x 28.3 x 48
			125	8.6	81	2.29				
			150	10.3	73	2.07				
			175	12.1	62	1.75				
EQ 18	18	25	100	6.9	111	3.14	1477	670	70	59 x 32.3 x 48
			125	8.6	100	2.83				
			150	10.3	87	2.46				
			175	12.1	78	2.21				
EQ 22	22	30	100	6.9	134	3.79	1488	675	70	59 x 32.3 x 48
			125	8.6	118	3.34				
			150	10.3	109	3.09				
			175	12.1	91	2.58				

Technical Specifications - 60Hz Variable Speed

Model	Motor Power		Working Pressure		Free Air Delivery (FAD)		Weight		Noise dB(A)	Dimensions L x B x H inches
	60Hz	kW	hp	psi g	bar g	cfm	m ³ /min	lbs		
EQ 11	11	15	100	6.9	30~68	0.85~1.93	1313	596	70	53.4 x 28.3 x 48
			125	8.6	26~58	0.74~1.64				
			150	10.3	21~52	0.59~1.47				
			175	12.1	17~46	0.48~1.3				
EQ 15	15	20	100	6.9	41~89	1.16~2.52	1330	603	70	53.4 x 28.3 x 48
			125	8.6	37~81	1.05~2.29				
			150	10.3	32~73	0.91~2.07				
			175	12.1	27~62	0.76~1.76				
EQ 18	18	25	100	6.9	47~111	1.33~3.14	1532	695	70	59 x 32.3 x 48
			125	8.6	41~100	1.16~2.83				
			150	10.3	39~87	1.1~2.46				
			175	12.1	31~78	0.88~2.21				
EQ 22	22	30	100	6.9	57~134	1.61~3.79	1543	700	70	59 x 32.3 x 48
			125	8.6	52~118	1.47~3.34				
			150	10.3	47~109	1.33~3.09				
			175	12.1	41~91	1.16~2.58				

Note:

1. Free Air Delivery (FAD) is tested as per ISO 1217 : 2009 Annexure 'C' Edition: 4 for Fixed Speed Machines and as per Annexure 'E' Edition: 4 for VFD machines.
2. Sound level measured as per ISO 2151, Second Edition.
3. All standard models are air-cooled.
4. Due to continuous improvements, the specifications are subject to change without prior notice.

ELGI[®]
Always Better.

